

SMART+GUARD 2 PROTECTIVE COVER

The Smart+Guard 2 is larger than the standard sized Smart+Guard and is designed to be installed over German and US style call points and pull stations.

Smart+Guard 2 offers the same features and installation options as Smart+Guard.

SMART+GUARD 2

INDOOR

Part No:	Mounting	Spacer Included	Max Product Size to Fit (W x H x D mm)
SG2-F-R	Flush	None	138 x 141 x 42
SG2-S-R	Surface	32 mm	138 x 141 x 74

INDOOR WITH ALARM

Part No:	Mounting	Spacer Included	Max Product Size to Fit (W x H x D mm)
SG2-FS-R	Flush	None	138 x 141 x 42
SG2-SS-R	Surface	32 mm	138 x 141 x 74

SMART+GUARD 2 SPACER OPTIONS

Part No:	Description
SG2-SMS18	18 mm Surface Mounting Spacer
SG2-SMS32	32 mm Surface Mounting Spacer

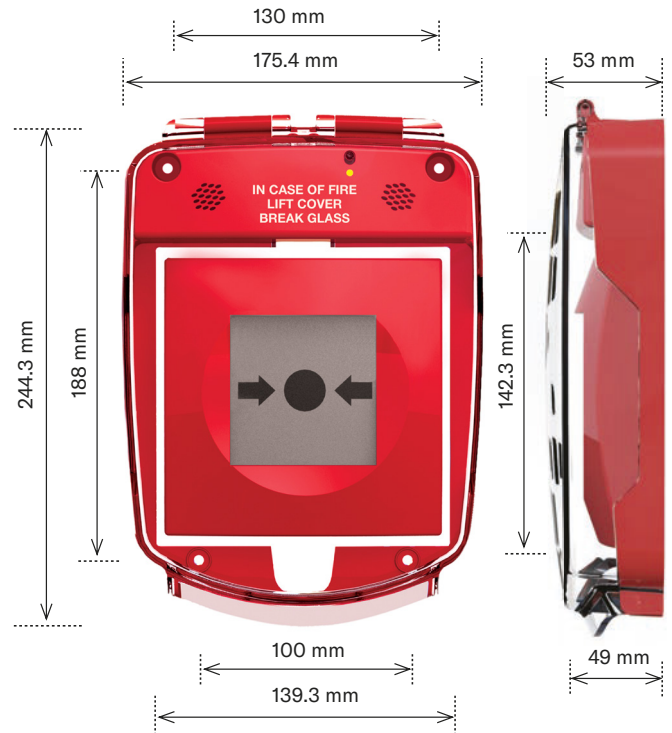
SMART+GUARD 2 ENVIRO

ENVIRO WEATHERPROOF (Includes Weather Resistant Gaskets)

Part No:	Mounting	Spacer Included	Max Product Size to Fit (W x H x D mm)
SGE2-F-R	Flush	None	138 x 141 x 42
SGE2-S-R	Surface	32 mm	138 x 141 x 74

ENVIRO WEATHERPROOF WITH ALARM (Includes Weather Resistant Gaskets)

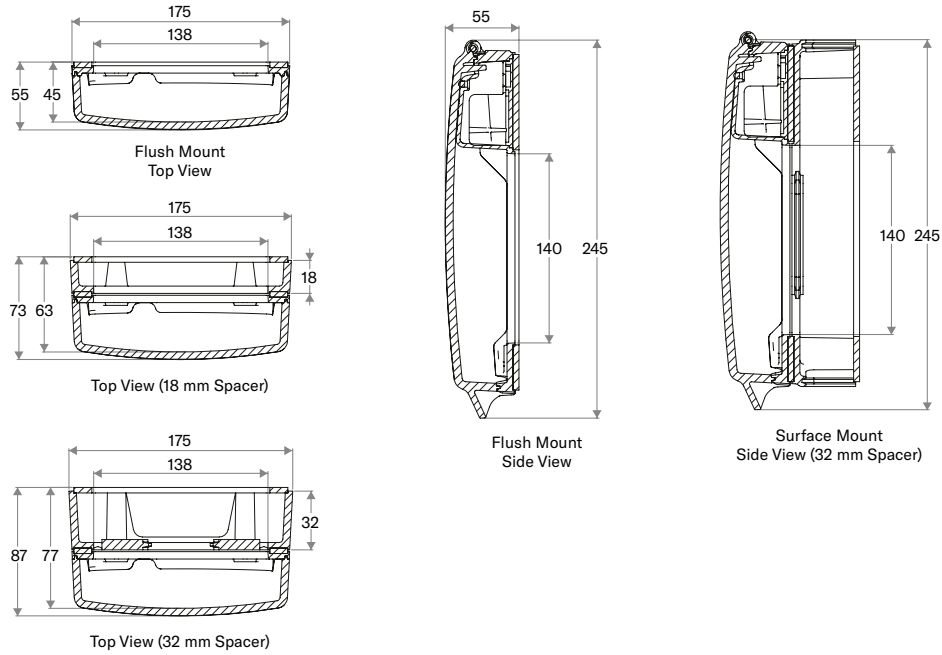
Part No:	Mounting	Spacer Included	Max Product Size to Fit (W x H x D mm)
SGE2-FS-R	Flush	None	138 x 141 x 42
SGE2-SS-R	Surface	32 mm	138 x 141 x 74



TECHNICAL DATASHEET
SMART+GUARD 2
PROTECTIVE COVER

INSTALLATION

Dimensions (mm)



DS/3700039/ISS 2

We reserve the right to change or amend any design or specification in line with our policy of continuing development and improvement.

Vimpex LTD
Star Lane, Great Wakering,
Essex SS3 0PJ, UK
t. +44 (0) 1702 216999
e. sales@vimpex.co.uk
www.vimpex.co.uk

Vimpex Interguard AB
t. +46 (0) 36 37 10 65
e. sales@vimpex.se



Quality System Certificate No. 456
Assessed to ISO 9001